

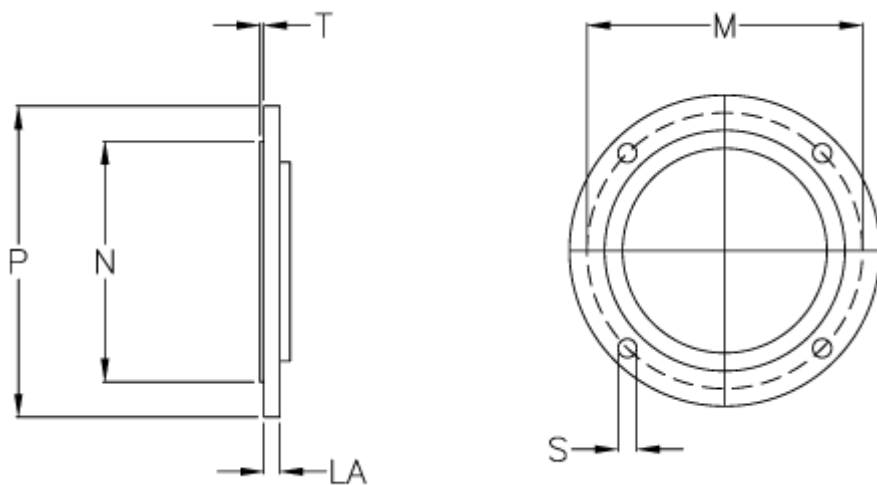
# Data Sheet



Article number: 259620003050

Description: Flange B5  
for Bonfiglioli motor size BN 200

## Measures



LA = 18.0

M = 350

N = 300

P = 400

S = 18,5

Size = BN 200 B5

T = 5.0